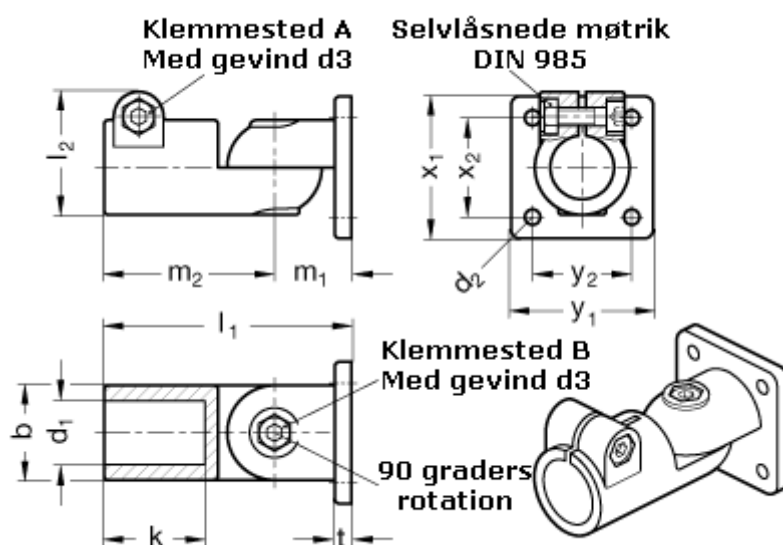


Article number: 20282B25T2BL

Description: E+G Swivel clamp connector joint
GN 282-B25-T-2-BL

Measures



| | |
|---------------|------------|
| $b = 40$ | $m_2 = 72$ |
| $d_1 = B25$ | $t = 7$ |
| $d_2 = 6.5$ | $x_1 = 60$ |
| $d_3 = M 8$ | $x_2 = 42$ |
| $k = 42.5$ | $y_1 = 60$ |
| $l_1 = 104.5$ | $y_2 = 42$ |
| $l_2 = 52.0$ | |
| $m_1 = 32.5$ | |